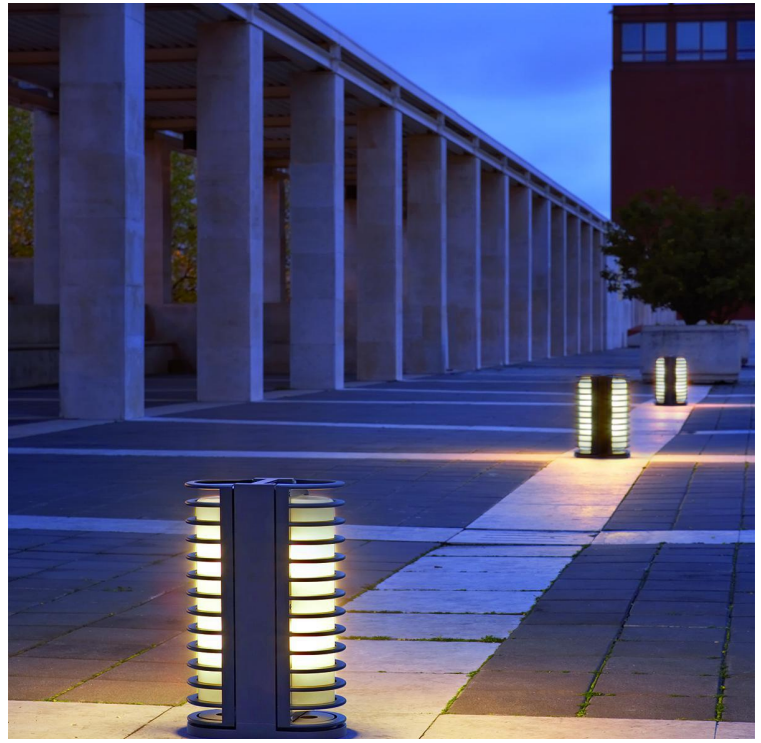


NIKKO+45 BOLLARD



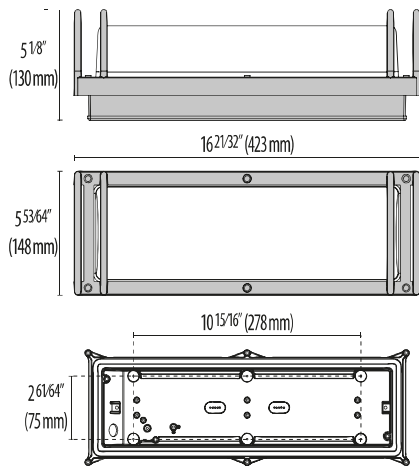
- Surface-mount doorway and hallway lights and post mount series. Fixtures consist of:
- Multi-step powder-coat painting process, optimized against UV rays and corrosion.
 - Copper-free die-cast aluminum housing, ring, and faceplates.
 - Copper-free aluminum extruded post.
 - High transmittance, internally coated, soda-lime pressed glass diffuser, thermally and chemically quenched to strengthen the impact resistance and reduce the effect of rapid temperature changes.
 - Custom molded, anti-aging gasket(s).
 - Stainless steel external hardware.

- Custom MCPCB utilized to maximize heat dissipation and promote a long LED life.
- 100% uniform diffused light emission.
- Input voltage: 120-277 V (50 / 60 Hz), integral driver.
- Consult factory for dimming options, custom finishes (please specify RAL color), and non-cataloged CCT (Kelvin) options including static colors.
- Wall bracket and post accessories available (ordered separately).
- Product meets Buy American Act requirements within ARRA.
- 5-year warranty on components.
- 10-year warranty on glass.
- Marine Grade finish.
- Suitable for Natatorium applications.



FINISHES

- AN-96 / Iron gray / Textured
- GR-94 / Aluminum metallic / Textured
- RB-10 / Iron rust / Textured
- WH-87 / White / Textured
- BK-81 / Black / Textured



NIKKO
+45 LED

Lumen Output	27K	3K	35K	4K	5K
Nikko+45	664	702	740	778	816
Nikko+45 Grill	363	384	404	425	445
Nikko+45 Split	324	340	356	372	404

24W Max Wattage



Open



Split



Grill



Scan here
for installation
instructions

Revision 02
09/24

Order Guide - Nikko+45 Bollard



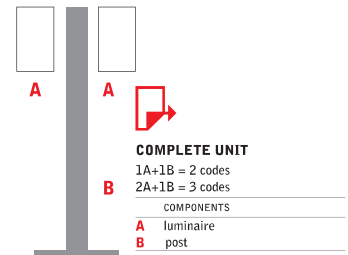
Order code example

N45B-OP-24-AM-3K-120-NA-REM

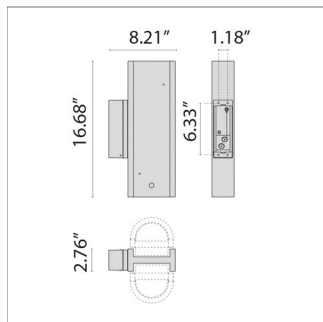
80 CRI STANDARD - OTHER OPTIONS AVAILABLE

N45B-

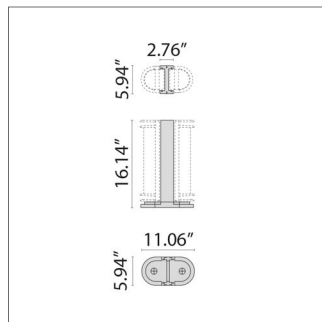
Trim Style	Wattage	Finish	Kelvin	Voltage	Controls	Accessories
OP Open	24 24 watt (max)	AM Aluminum Metallic	27K 2700k	UNV 120-277V	NA Non Dimming	REM Remote Mounted Emergency Battery Back Up
G Grill	XX Specify Wattage Must be below max	IG Iron Gray	3K 3000k		0-10V 0-10V Dimming	WB Wall Bracket
S Split		IR Iron Rust	35K 3500k			
		BK Textured Black	4K 4000k			
		WH Textured White	5K 5000k			
		CC Custom Color	65K 6500k			P16 16.4" Post
			RED Static Red			P32 32.79" Post
			BLU Static Blue			P48 48.54" Post
			GRN Static Green			BABAA Build America Buy America Act compliant
			AMB Static Turtle Friendly Amber			
			RGBW* RGBW			
			*See below for details			



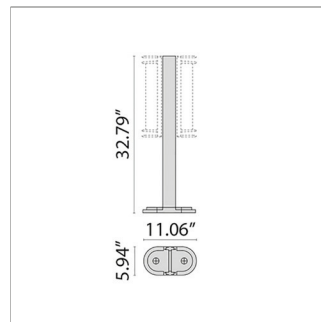
WALL BRACKET AND POSTS ARE SUITABLE FOR ONE OR TWO FIXTURES EACH



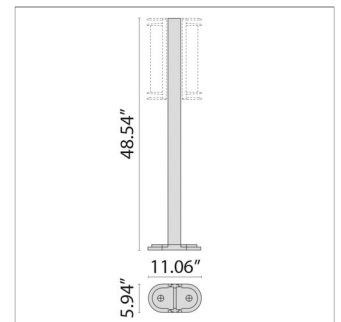
WB
Wall Bracket



P16
16.4" Post



P32
32.79" Post



P48
48.54" Post

RGBW ACCESSORIES

Power Supply



17433
Kit driver 48V



17096
Kit driver 48V WP

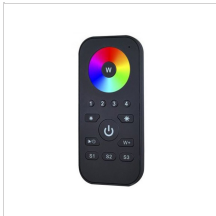
RF Controls



3104173
RGBW RF controller 4 channel
(0.35A each CH)



31041730
RGBW RF controller WP 4 channel
(0.35A each CH)



310429
RGBW hand held remote

DMX Controls



178973
RGBW DMX enabler/decoder 4
channel (0.35A each CH)



1789730
RGBW DMX enabler/decoder WP 4
channel (0.35A each CH)